

AVAILABLE FOR RENT OR SALE



www.atsequipment.com

# MQ Mikasa MVH508DZ

## FORWARD SOIL PLATES

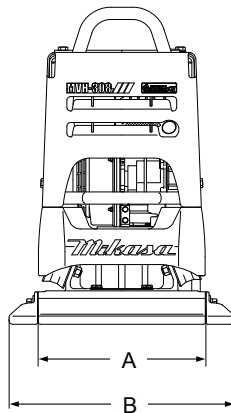
- Reliable engine with Hatz diesel offering easy electric start-up.
- Fold-out front and rear covers for easy access to all maintenance points.
- Hour/Tachometer to measure machine hour usage and engine RPM.
- Cyclonic pre-cleaner to capture most airborne contaminants for engine protection and extended service life.
- Heavy duty shock mounts to withstand harsh operating environment while reducing vibration to the operator and helping to extend component life.
- Hydraulic controls enables operator to easily switch direction from forward to reverse while also allowing for spot compaction.
- Rugged base plate manufactured from high strength steel for top performance and featuring open design for easy cleanup.
- Steel frame protective guard with fully integrated cage protects the engine from loose debris or dirt while serving as a lifting bar for easy portability.
- Low profile base plate lowers the center of gravity dramatically improving travel speed.
- Extension plates can be added or removed to operating working width up to 6 inches.



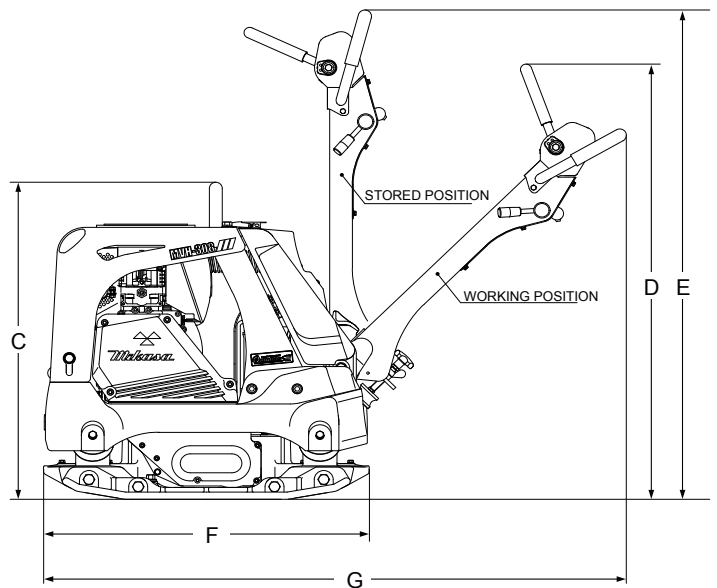
### SPECIFICATIONS

Centrifugal Force: 14613 lbf  
 Exciter Speed: 4400 VPM  
 Plate Size: 20 x 35 in  
 Plate Size with Extensions: 26 x 35 in  
 Max Forward Speed Per Min.: 82 ft  
 Operating Weight: 1182 lb  
 Hatz 1D81S

REF. DES	IN.
A	25.59
B	31.5
C	40.94
D	47.64
E	53.54
F	35.43
G	63.00



EXTENSION PLATE (OPTION)



**ATS EQUIPMENT INC.**

**Construction Equipment & Supplies**

**Rentals • Sales • Service**

**BOSTON, MA**  
(617) 825-3600

**AUBURN, MA**  
(508) 832-8500

**REHOBOTH, MA**  
(508) 379-6200

**CANDIA, NH**  
(603) 483-2100